



"After years of procedural usage, the SoLo A hardware is still reliable."

"Hospital staff agree that the installation, disinfection, and handling are simplified with SoLo A."

"The solid lock system is stable, precise, and robust."



MTT

Medical Targeting Technologies GmbH • Hanauweg 7/8 • 21357 Barum
Tel: +49 (0) 4133 510 185 • E-Mail: info@medical-ml.com

SoLo A

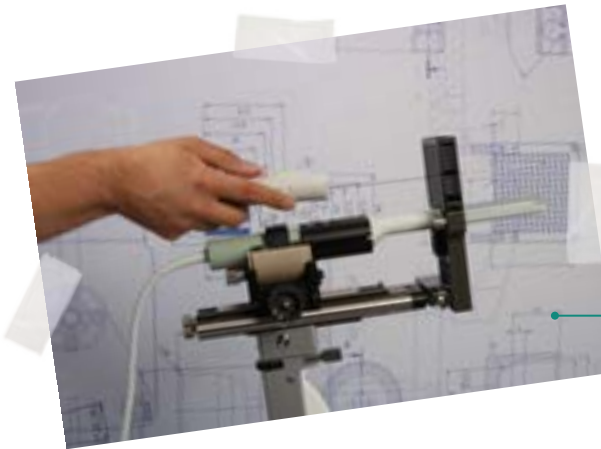
Solid Lock Positioning System
Stable & Easy in Use



SoLo A is MTT's solution for reliably positioning and precisely guiding most ER Ultrasound probes during template based prostate ultrasound procedures.

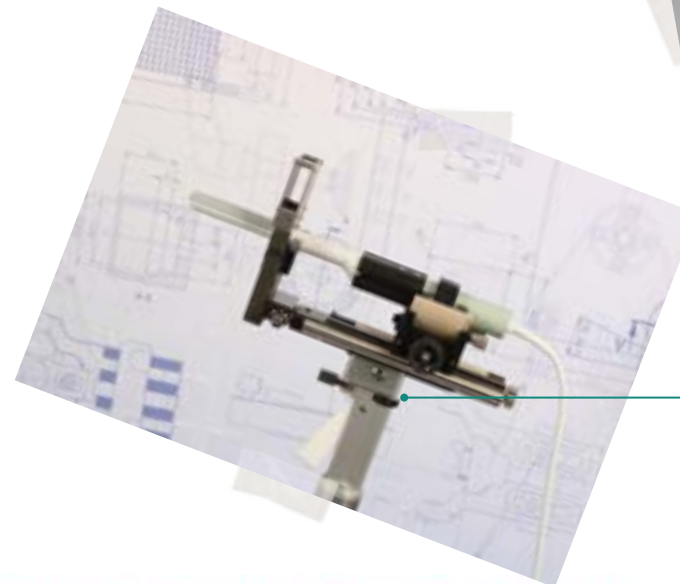
Key Features

- Quickly installed with three easy steps
- Fixed to an OR bed rail or utilized with an optional floor stand
- Extremely mobile with small footprint
- Easily sanitized with wipe disinfection (mechanical arm) and autoclaving (stepper)
- Simply stored in a post-procedure case
- Stable and robust system
- Used for Cryotherapy, HDR/LDR Brachytherapy, Prostate Biopsies and other template based approaches



Precise needle placement during all template based prostate related approaches.

Our reliable universal articulating arm can be operated with only one hand. Probe positioning is precise, quick and easy.



With additional fine tuning functions the probe can be elevated and swiveled.



Need reduced functionality for non template based approaches? Ask for Solo B!